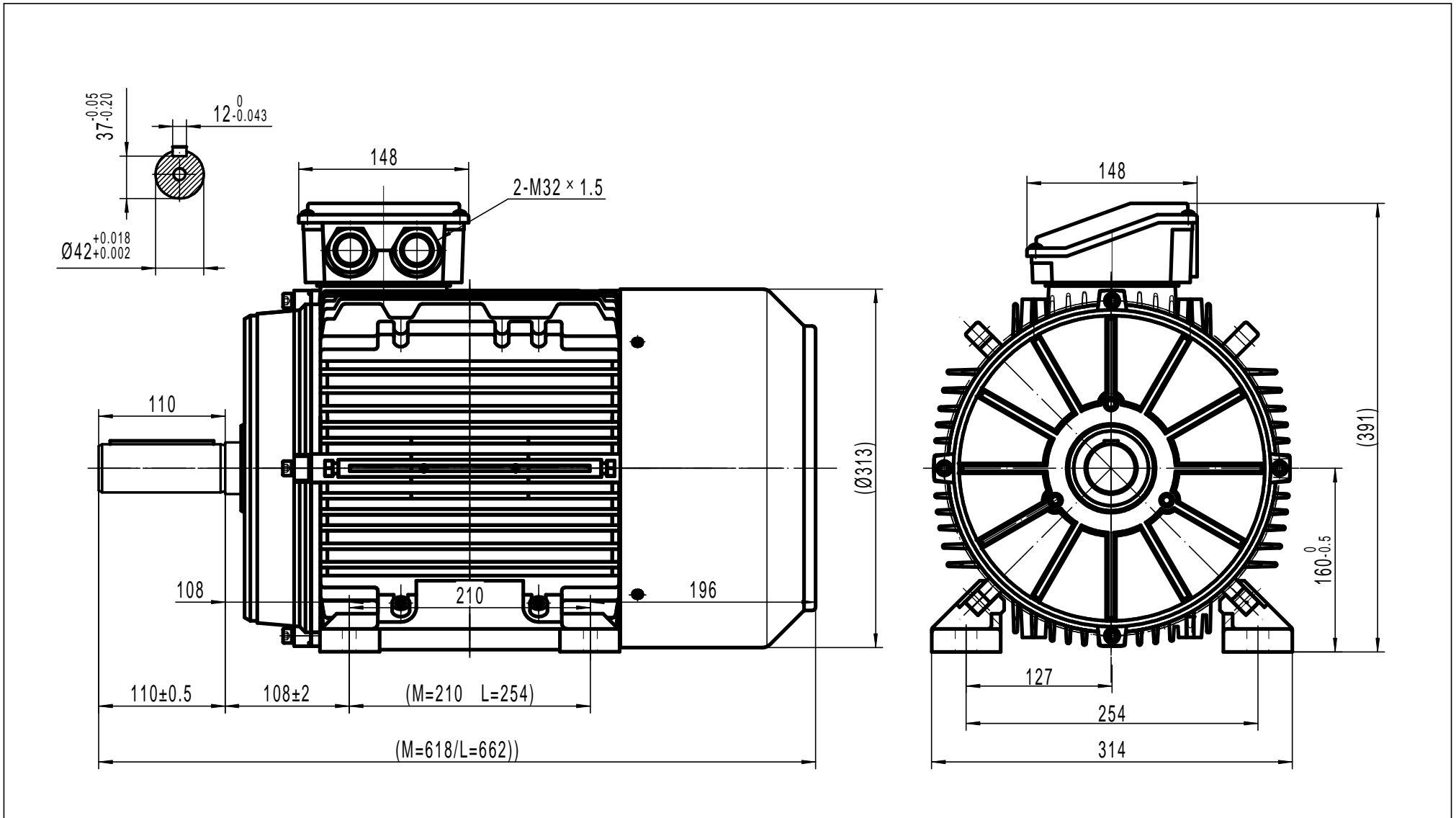


# OUTLINE DIMENSIONAL DRAWING



**TECHTOP**  
A U S T R A L I A

TECHTOP AUSTRALIA PTY LTD	
FRAME	TAI 160A B3
DATE	DRAWING NO.
2011/10/14	1ST087.050.001-032 A